



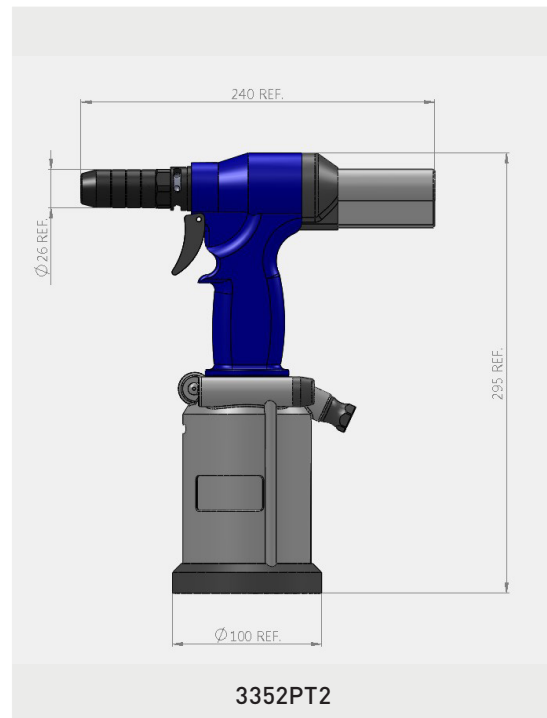
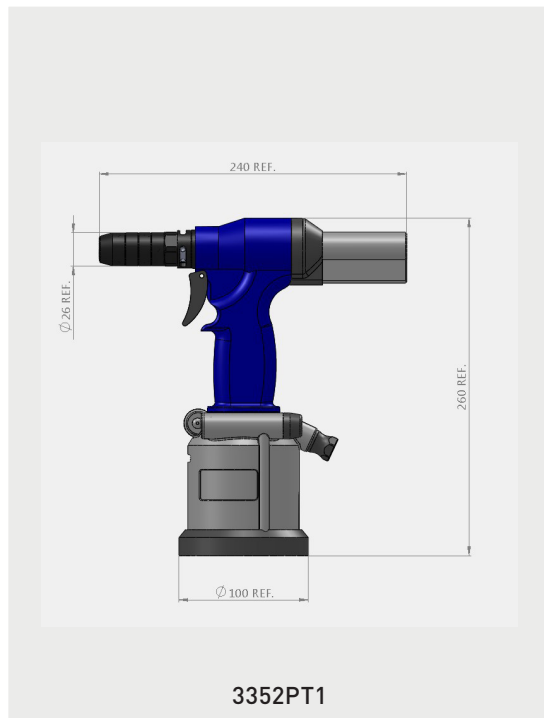
KEENSERT® - 3352PT POWER TOOLS

HYDRO-PNEUMATIC TOOLS FOR KEENSERT®

THREADED INSERTS

KEENSERT® - 3352PT POWER TOOLS

HYDRO-PNEUMATIC TOOLS FOR KEENSERT® THREADED INSERTS

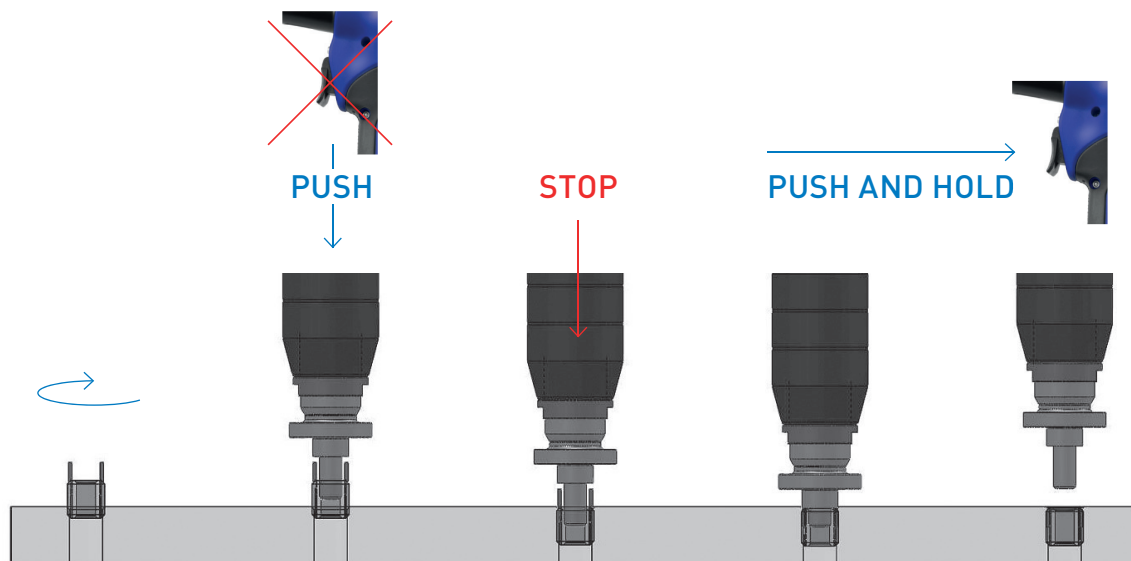


- The hydro-pneumatic Power Tool 3352PT1 is designed to install metric KEENSERT® from sizes M5 to M12.
- The slightly bigger 3352PT2 has a larger stroke to install M5 to M24 sized metric KEENSERT®. For each size of KEENSERT® a specific nose piece is required.
- Individual adjustments can be made using the integrated force control depending on size of the KEENSERT® and hardness of the surrounding material.
- Due to the one-button operation it is easy to operate. The installation is quick, consistent and reliable.
- The hydro-pneumatic system is low maintenance, ergonomic and lightweight.
- Please note: Next to the Power Tool 3352PT1 and 3352PT2 an appropriate nosepiece set for each size of KEENSERT® needs to be ordered separately.

Technical Data

Tool	3352PT1	3352PT2
Air working pressure	6 bar / 90 PSI	6 bar / 90 PSI
Min – max air pressure	5 – 7 bar / 70-100 PSI	5 – 7 bar / 70-100 PSI
Air consumption per cycle at 6 bar	5 liters / 1,3 gallons	5 liters / 1,3 gallons
Max stroke	6,5 mm / 0,26 inch	8 mm / 0,31 inch
Max force	19.000 N / 4300 lbf	19.000 N / 4300 lbf
Weight (without nosepiece)	1,800 kg / 4 pounds	2,200 kg / 4,85 pounds
Vibrations	< 2,5 m/s ² / 8,2 ft/s ²	< 2,5 m/s ² / 8,2 ft/s ²
Noise Level	76 dB (A)	76 dB (A)

Installation procedure



Step 1

Screw in the KEEN-SERT® by hand for one to two turns.

Step 2

Push the outer thread of the mandrel into the internal thread of the KEENSERT®. The screw-in process will start automatically. Do not press the trigger yet!

Step 3

The screw-in operation stops automatically once the insert reaches its final position (when the thicker part of the Kees touches the countersunk surface).

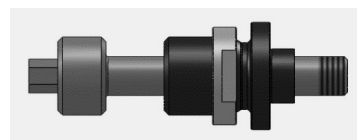
Step 4

Press the trigger for the Kees to be installed.

Step 5

Keep the trigger pressed. After the Kees are pressed in, the mandrel will rotate counterclockwise until it has fully unscrewed from the KEENSERT®. Finally, release the trigger

Available metric Nosepieces

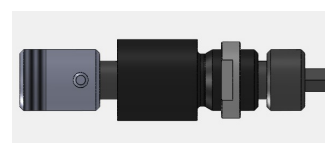


Nosepiece Sets light duty

Keensert® Series KNM(L)	Nosepiece Set
KNM(L)5x0,8	3352TM5X0,8AY
KNM(L)6x1	3352TM6X1,0AY
KNM(L)8x1,25	3352TM8X1,25AY
KNM(L)10x1,5	3352TM10X1,5AY
KNM(L)12x1,75	3352TM12X1,75AY

Nosepiece Sets heavy duty

Keensert® Series KNHM(L)	Nosepiece Set
KNHM(L)5x0,8	3352THM5X0,8AY
KNHM(L)6x1	3352THM6X1,0AY
KNHM(L)8x1,25	3352THM8X1,25AY
KNHM(L)10x1,5	3352THM10X1,5AY
KNHM(L)12x1,75	3352THM12X1,75AY



Nosepiece Sets heavy duty >M12 *)

Keensert® Series KNHM	Nosepiece Set
KNHM(L)16x2	3352THM16X2,0AY
KNHM(L)18x1,5	3352THM18X1,5AY
KNHM(L)20x2,5	3352THM20X2,5AY
KNHM(L)24x3	3352THM24X3,0AY

*) Nosepiece Sets heavy duty >M12 only intermateable with Power Tool 3352PT2

Should you have any questions or queries relating to the operation and use of this machine, please contact your local KVT-Fastening customer service. <https://www.kvt-fastening.com/>